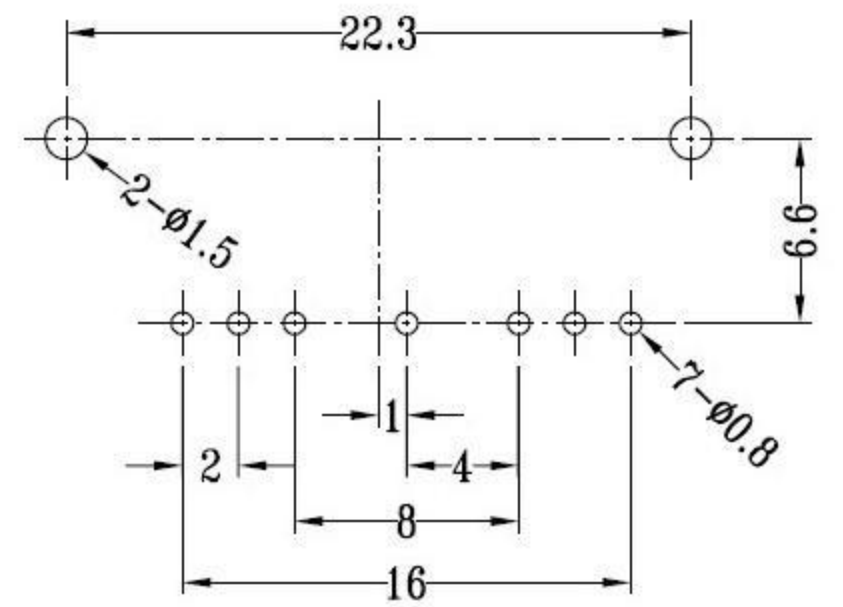
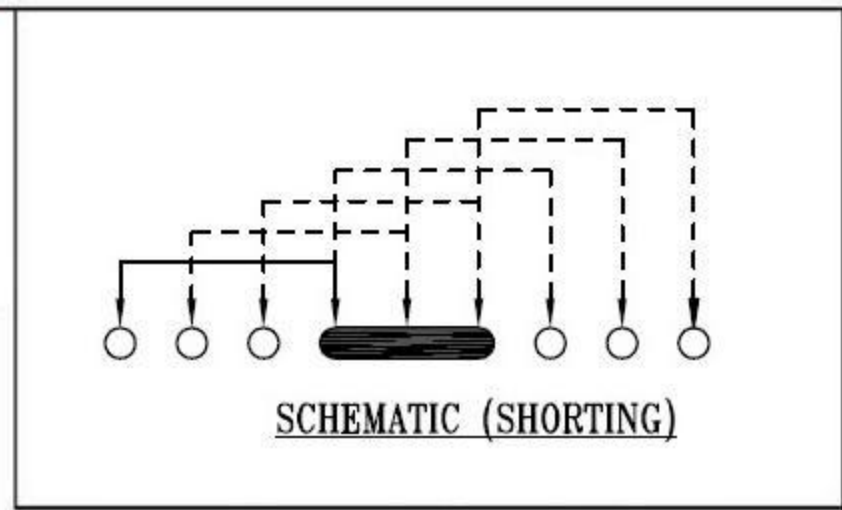
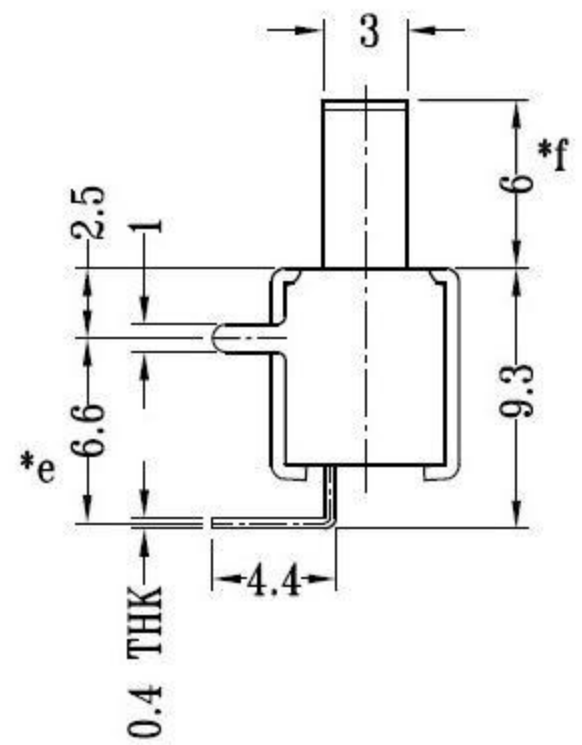
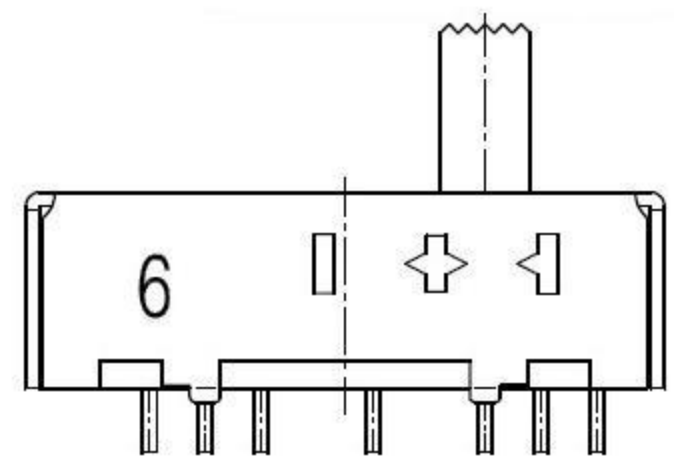
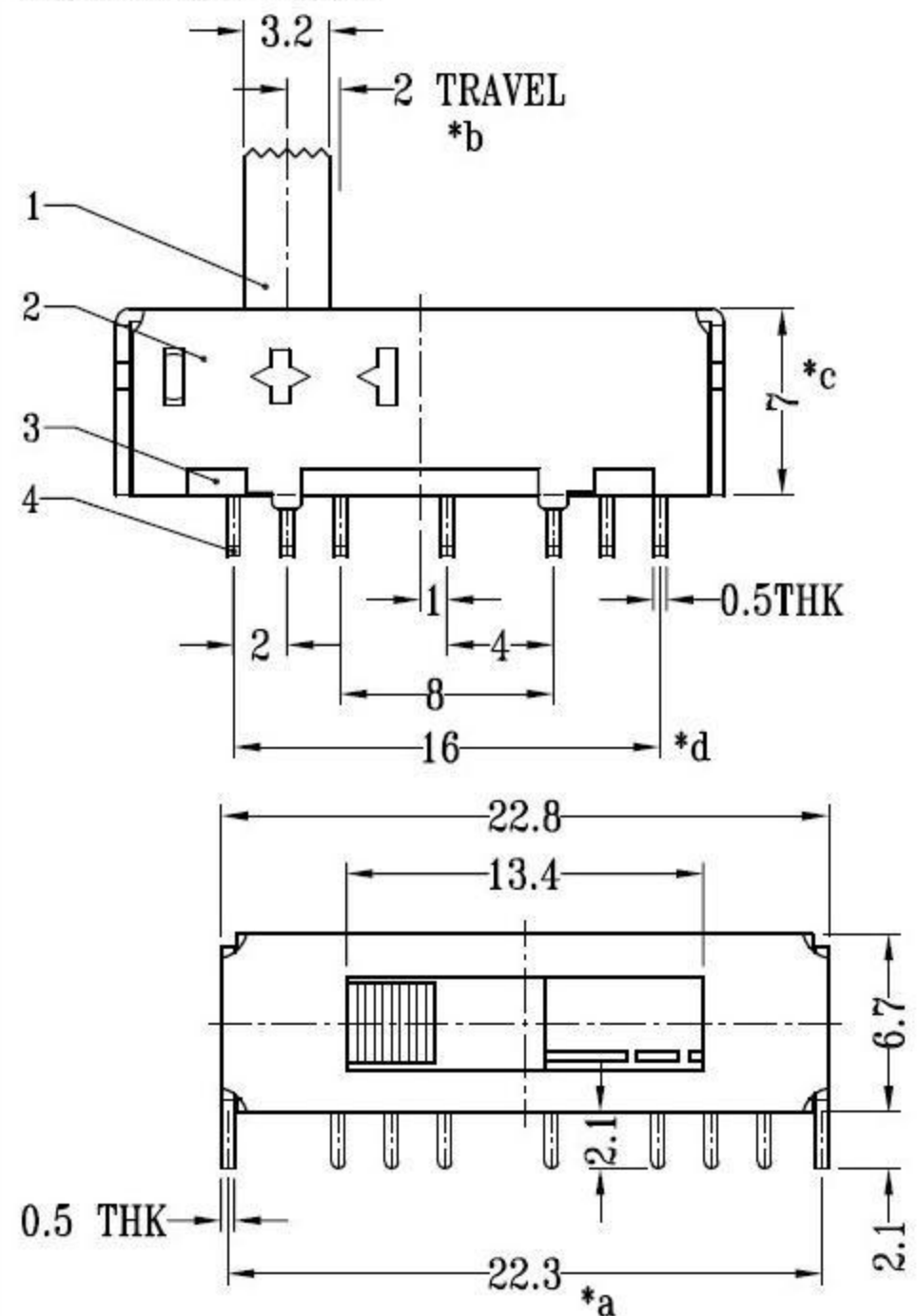


所有物质均符合环保要求



P.C.B LAYOUT
BOTTOM VIEW

手柄X位置, 与操作力按照用户需求定制!

8					TOLERANCE UNLESS SPECIFIED				
7	STEEL BALL	STEEL	2	NATURAL	WITHIN	A	2010-01-02	初版	
6	SPRING	STEEL WIRE	1	NATURAL	OVER	ISSUE	DATE	DESCRIPTIONS OF REVISION	
5	CONTACT CLIP	PBS STRIP	2	Ag PLATED	TITLE : SLIDE SWITCH			UNIT : mm	DRWG NO.:
4	TERMINAL	BRASS STRIP	8	Ag PLATED	MODEL:			SCALE: 2:1	DWN.
3	BASE	PHENOLIC RESIN	1	NATURAL	东莞市高迪电子有限公司			APPD.	2010-01-02
2	FRAME	STEEL STRIP	1	Ni PLATED				CHK'D	2010-01-02
1	KNOB	POM	1	BLACK				APPD.	2010-01-02
NO.	PARTS	MATERIALS	Q'TY	FINISH					